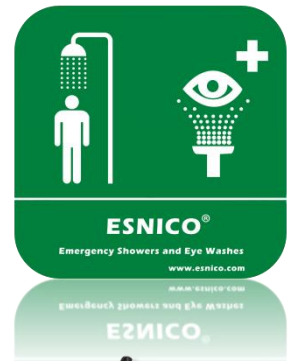


Emergency Shower and Eyewash (Combination Units)

ESW010MS



Emergency shower and eyewash is an emergency device that temporarily relieves any toxic or harmful substances, such as corrosive chemical liquids, from incurring further damage to a physical body in case the hazardous substance spills to the body, face or eyes of workers, and makes time for professional medical care.

Standard type equipped with shower and eyewash. Provide full-body relief from contamination quickly and effectively. Comply with ANSI Z358.1-2014.

Specifications

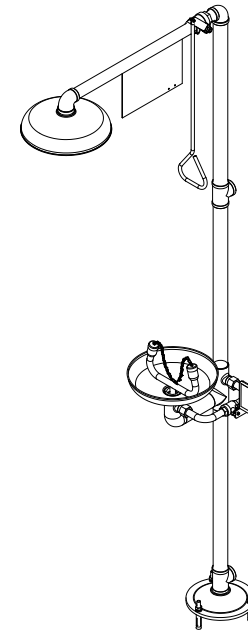
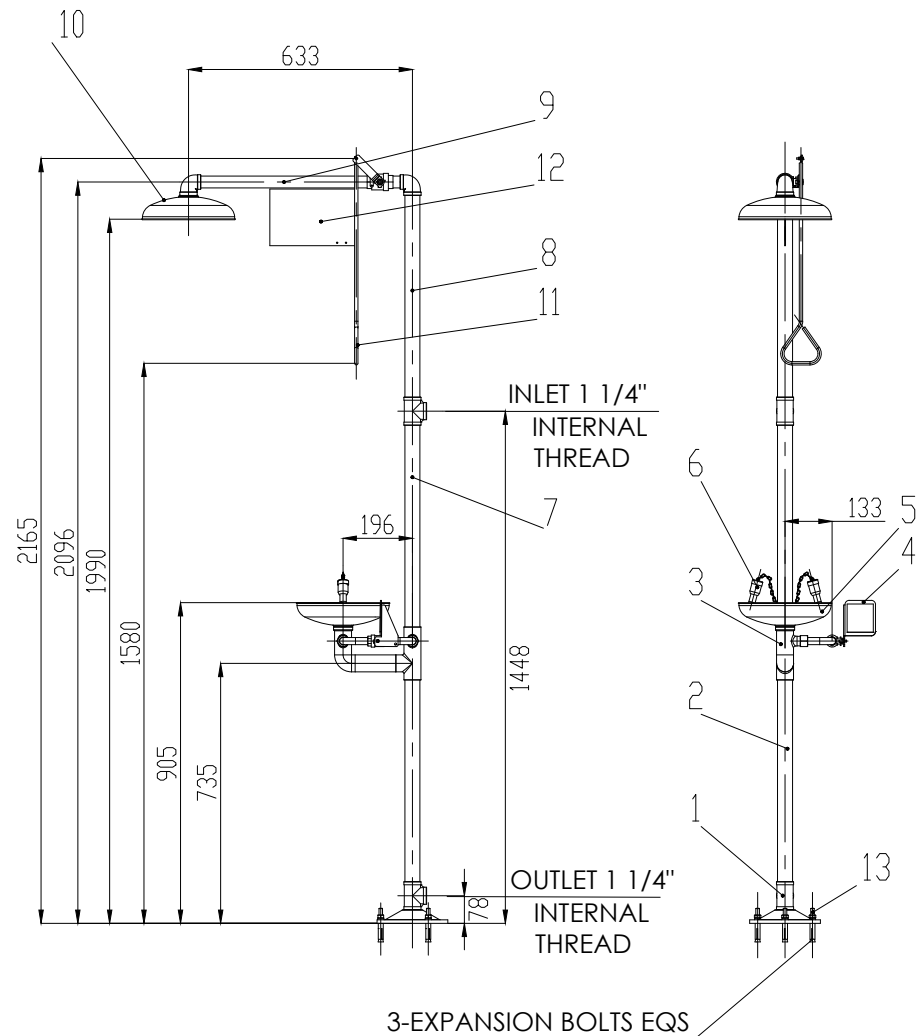
MATERIALS OF CONSTRUCTION

PIPE & FITTINGS	Stainless steel 304
OPERATING VALVE	Stainless steel 304
SHOWER HEAD	Stainless steel 304
EYE WASH BOWL	Stainless steel 304
EYE WASH NOZZLES	Stainless steel filter mesh
PULL ROD KIT	Stainless steel 304
PUSH PLATE	Stainless steel 304

OPERATIONAL DATA

WATER INLET	1-1/4" internal thread
WATER OUTLET	1-1/4" internal thread
OPERATING PRESSURE	250 to 400kpa
MINIMUM FLOW RATES (Shower)	75.7 L/min (20gpm)
MINIMUM FLOW RATES (Eye/face Wash)	11.4 L/min (3gpm)
AMBIENT OPERATING TEMPERATURE	5°C-35°C
PACKING SIZE (WxDxH)	720mm x 300mm x 300mm
WEIGHT	13kg

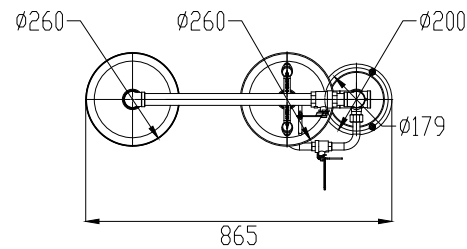


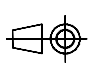


NOTE

1. PARTS SHALL BE INSTALLED ACCORDING WITH MANUAL AND PROPER PLUMBING PRACTICES
2. ALL DIMENSIONS ARE IN "mm" UNLESS SPECIFIED

NO.	DESCRIPTION	SPECIFICATION	MATERIAL	QUANTITY	UNIT	REMARK
13	EXPANSION BOLT	M10	AISI 304	3	PART	
12	WARNING SIGN	-	EPOXY RESIN	1	PART	
11	PULL ROD KIT	-	AISI 304	1	KIT	
10	SHOWER KIT	-	AISI 304	1	KIT	
9	SHOWER PIPE KIT	DN25	AISI 304	1	KIT	
8	PIPE WITH ELBOW KIT	DN32	AISI304	1	KIT	
7	PIPE WITH T-JUNCTION	DN32	AISI304	1	KIT	
6	NOZZLE KIT	-	AISI 304	1	KIT	
5	BOWL KIT	-	AISI 304	1	KIT	
4	PUSH PLATE	-	AISI 304	1	PART	
3	EYEWASH KIT	-	AISI 304	1	KIT	
2	PIPE	DN32	AISI 304	1	PART	
1	PEDESTAL	-	AISI 304	1	PART	



ESNICO®	Denomination			
	EMERGENCY SHOWER AND EYEWASH			
Esnico Industry Co., Ltd.	Surface treatment		Material	
	Unless otherwise stated SHARP EDGES BROKEN		Date	Designer
	Format	Scale	Document No.	Rversion
		1:15	ESW010MS	V1