

# Emergency Shower and Eyewash (Combination Units)

## ESW010YS



Emergency shower and eyewash is an emergency device that temporarily relieves any toxic or harmful substances, such as corrosive chemical liquids, from incurring further damage to a physical body in case the hazardous substance spills to the body, face or eyes of workers, and makes time for professional medical care.

Standard type equipped with shower and eyewash. Provide full-body relief from contamination quickly and effectively. Comply with ANSI Z358.1-2014.

### Specifications

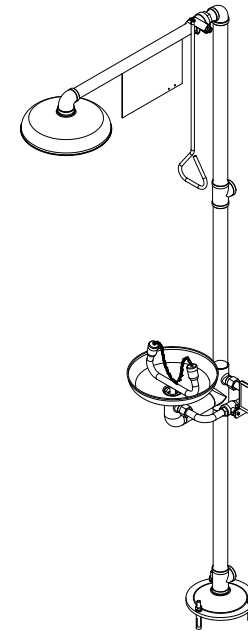
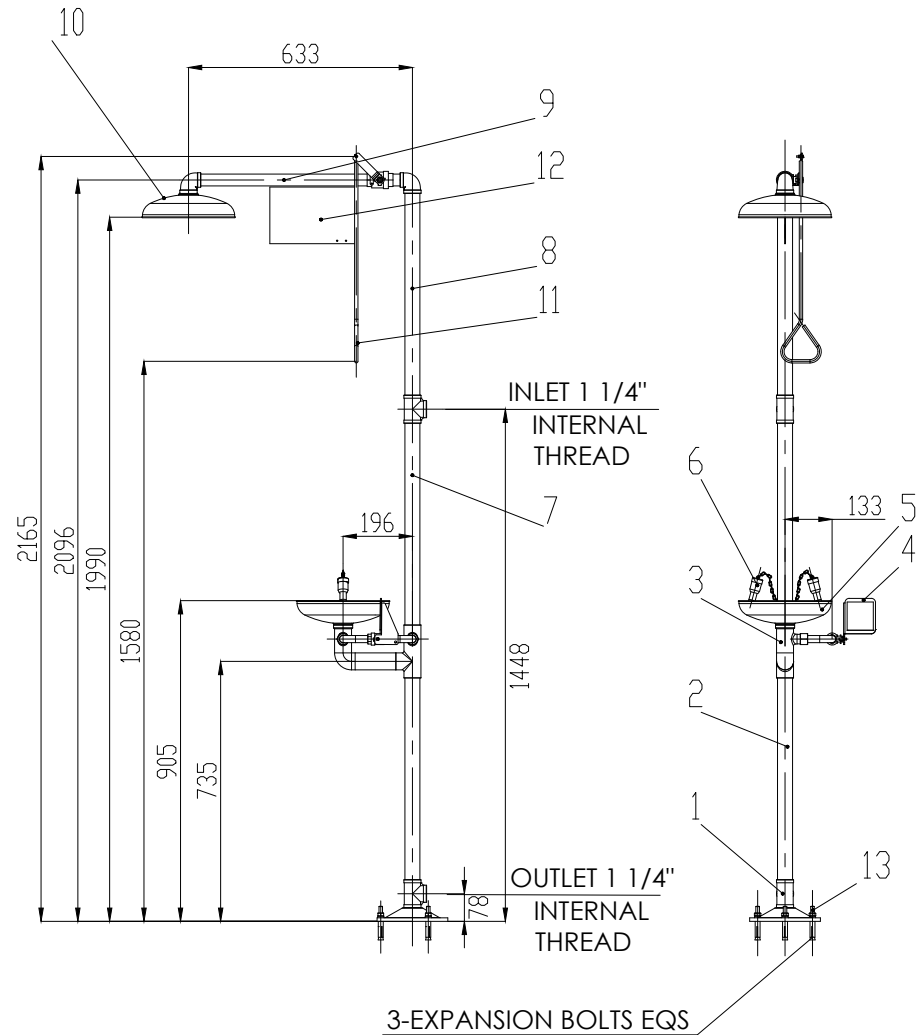
#### MATERIALS OF CONSTRUCTION

PIPE & FITTINGS	Stainless steel 304 with Epoxy Coating
OPERATING VALVE	Stainless steel 304 with Epoxy Coating
SHOWER HEAD	Stainless steel 304 with Epoxy Coating
EYE WASH BOWL	Stainless steel 304 with Epoxy Coating
EYE WASH NOZZLES	Stainless steel filter mesh
PULL ROD KIT	Stainless steel 304 with Epoxy Coating
PUSH PLATE	Stainless steel 304 with Epoxy Coating

#### OPERATIONAL DATA

WATER INLET	1-1/4" internal thread
WATER OUTLET	1-1/4" internal thread
OPERATING PRESSURE	250 to 400kpa
MINIMUM FLOW RATES (Shower)	75.7 L/min (20gpm)
MINIMUM FLOW RATES (Eye/face Wash)	11.4 L/min (3gpm)
AMBIENT OPERATING TEMPERATURE	5°C-35°C
PACKING SIZE (WxDxH)	720mm x 300mm x 300mm
WEIGHT	13kg

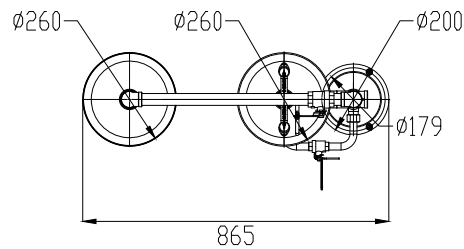




NOTE

1. PARTS SHALL BE INSTALLED ACCORDING WITH MANUAL AND PROPER PLUMBING PRACTICES
2. ALL DIMENSIONS ARE IN "mm" UNLESS SPECIFIED

NO.	DESCRIPTION	SPECIFICATION	MATERIAL	QUANTITY	UNIT	REMARK
13	EXPANSION BOLT	M10	AISI 304	3	PART	
12	WARNING SIGN	-	EPOXY RESIN	1	PART	
11	PULL ROD KIT	-	AISI 304 with EPOXY COATING	1	KIT	
10	SHOWER KIT	-	AISI 304 with EPOXY COATING	1	KIT	
9	SHOWER PIPE KIT	DN25	AISI 304 with EPOXY COATING	1	KIT	
8	PIPE WITH ELBOW KIT	DN32	AISI 304 with EPOXY COATING	1	KIT	
7	PIPE WITH T-JUNCTION	DN32	AISI 304 with EPOXY COATING	1	KIT	
6	NOZZLE KIT	-	AISI 304 with EPOXY COATING	1	KIT	
5	BOWL KIT	-	AISI 304 with EPOXY COATING	1	KIT	
4	PUSH PLATE	-	AISI 304 with EPOXY COATING	1	PART	
3	EYEWASH KIT	-	AISI 304 with EPOXY COATING	1	KIT	
2	PIPE	DN32	AISI 304 with EPOXY COATING	1	PART	
1	PEDESTAL	-	AISI 304 with EPOXY COATING	1	PART	



<b>ESNICO</b> <sup>®</sup>	Denomination <b>EMERGENCY SHOWER AND EYEWASH WITH EPOXY COATING</b>			
	Esnico Industry Co., Ltd.		Material	
Unless otherwise stated SHARP EDGES BROKEN		Date	Designer	Appr. By
		Format	Scale 1:15	Document No. ESW010YS

Rversion V1