

Wall Mounted Eyewash

ESW020YS



Wall mounted eyewash is directly installed on the wall of the work site. When the user's eyes, face, neck or arms are harmed by chemicals, the wall mounted eyewash is selected for flushing with large amounts of water.

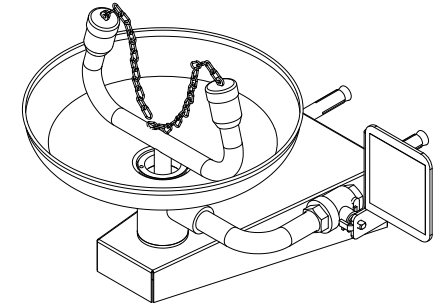
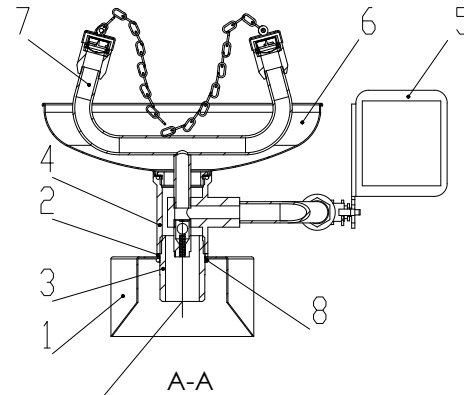
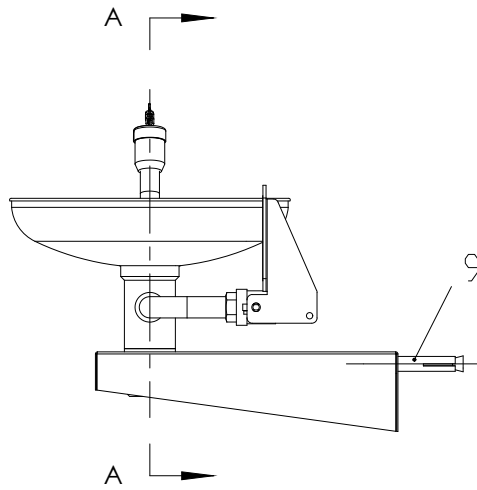
Standard type of wall mounted eyewash. The stainless-steel nozzles with filters provide aerated streams for rinsing eyes softly, flushing harmful substances quickly and reducing damage on eyes.

Specifications

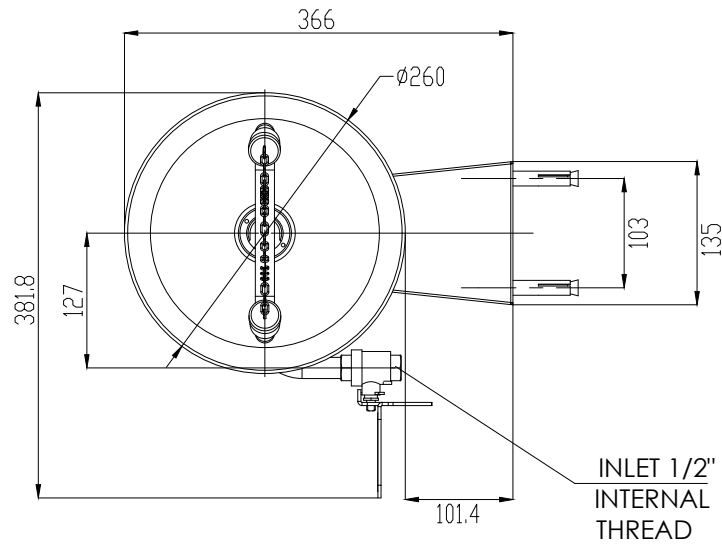
MATERIALS OF CONSTRUCTION	
PIPE & FITTINGS	Stainless steel 304 with Epoxy Coating
OPERATING VALVE	Stainless steel 304 with Epoxy Coating
EYE WASH BOWL	Stainless steel 304 with Epoxy Coating
EYE WASH NOZZLES	Stainless steel filter mesh
PUSH PLATE	Stainless steel 304 with Epoxy Coating



OPERATIONAL DATA	
WATER INLET	1/2" internal thread
WATER OUTLET	1-1/4" external thread
OPERATING PRESSURE	250 to 400kpa
MINIMUM FLOW RATES	11.4 L/min (3gpm)
AMBIENT OPERATING TEMPERATURE	5°C-35°C
PACKING SIZE (WxDxH)	360mm x 360mm x 155mm
WEIGHT	3.4kg



OUTLET 1 1/4"
EXTERNAL
THREAD



INLET 1/2"
INTERNAL
THREAD

NOTE

1. PARTS SHALL BE INSTALLED ACCORDING WITH MANUAL AND PROPER PLUMBING PRACTICES
2. ALL DIMENSIONS ARE IN "mm" UNLESS SPECIFIED

NO.	DESCRIPTION	SPECIFICATION	MATERIAL	QUANTITY	UNIT	REMARK
9	EXPANSION BOLT	M10	AISI 304	2	PART	
8	O-Ring	42.5x3.55	RUBBER	1	PART	
7	NOZZLE KIT	-	AISI 304 with EPOXY COATING	1	KIT	
6	BOWL KIT	-	AISI 304 with EPOXY COATING	1	KIT	
5	PUSH PLATE	-	AISI 304 with EPOXY COATING	1	PART	
4	EYEWASH KIT	-	AISI 304 with EPOXY COATING	1	KIT	
3	PIPE	DN32	AISI 304 with EPOXY COATING	1	KIT	
2	WASHER	DN32	PTFE	1	PART	
1	MOUNTING FRAME	-	AISI 304 with EPOXY COATING	1	PART	

ESNICO®		Denomination WALL MOUNTED EYEWASH WITH EPOXY COATING			
		Surface treatment		Material	
Esnico Industry Co., Ltd.		Date		Designer	Appr. By
Unless otherwise stated SHARP EDGES BROKEN		Format	Scale 1:7	Document No. ESW020YS	Rversion V1