

Pedestal Mounted Eyewash

ESW030MS



Pedestal mounted eyewash is often used in places where there is no wall to mount. It is good selection for safety and maintenance personnel. Comply with ANSI Z358.1-2014.

Standard type of pedestal mounted eyewash. It provides height balanced water flow in the same plane. The stainless-steel nozzles with filters provide aerated streams for rinsing eyes softly, flushing harmful substances quickly and reducing damage on eyes.

Specifications

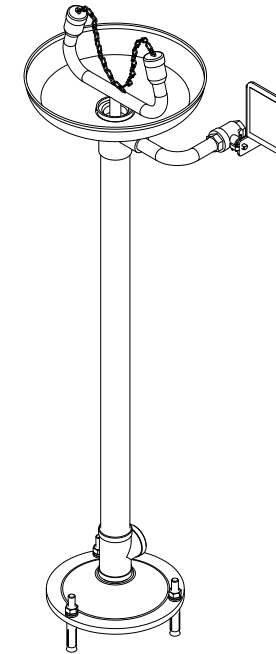
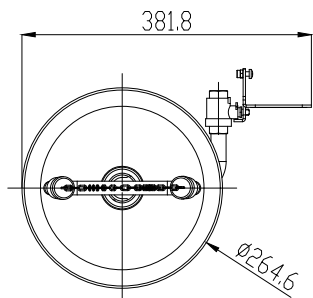
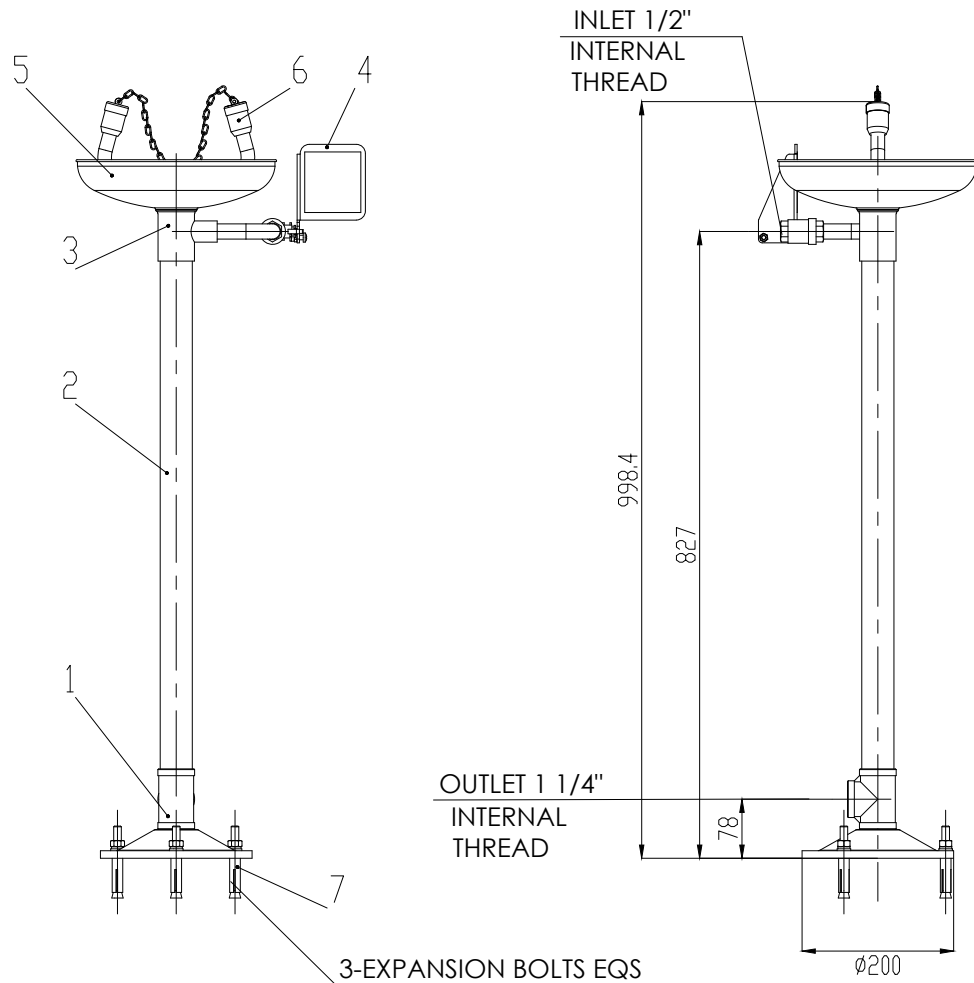
MATERIALS OF CONSTRUCTION

PIPE & FITTINGS	Stainless steel 304
OPERATING VALVE	Stainless steel 304
EYE WASH BOWL	Stainless steel 304
EYE WASH NOZZLES	Stainless steel filter mesh
PUSH PLATE	Stainless steel 304

OPERATIONAL DATA

WATER INLET	1/2" internal thread
WATER OUTLET	1-1/4" internal thread
OPERATING PRESSURE	250 to 400kpa
MINIMUM FLOW RATES	11.4 L/min (3gpm)
AMBIENT OPERATING TEMPERATURE	5°C-35°C
PACKING SIZE (WxDxH)	720mm x 270mm x 200mm
WEIGHT	5.4kg





NOTE

1. PARTS SHALL BE INSTALLED ACCORDING WITH MANUAL AND PROPER PLUMBING PRACTICES
2. ALL DIMENSIONS ARE IN "mm" UNLESS SPECIFIED

7	EXPANSION BOLT	M10	AISI 304	3	PART	
6	NOZZLE KIT	-	AISI 304	1	KIT	
5	BOWL KIT	-	AISI 304	1	KIT	
4	PUSH PLATE	-	AISI 304	1	PART	
3	EYEWASH KIT	-	AISI 304	1	KIT	
2	PIPE	DN32	AISI 304	1	PART	
1	PEDESTAL	-	AISI 304	1	PART	
NO.	DESCRIPTION	SPECIFICATION	MATERIAL	QUANTITY	UNIT	REMARK

ESNICO®		Denomination			
		PEDESTAL MOUNTED EYEWASH			
Esnico Industry Co., Ltd.		Surface treatment		Material	
		Date		Designer	Appr. By
Unless otherwise stated SHARP EDGES BROKEN		Format		Document No.	
		Scale 1:7		ESW030MS	